

REV.	ECN NO.	LOCATIONS	DESCRIPTION	DATE	DESIGN
AO			初版發行	2014/04/07	彭时勇

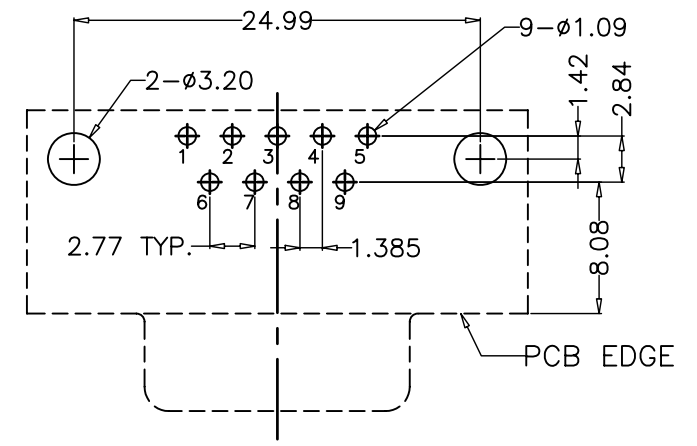
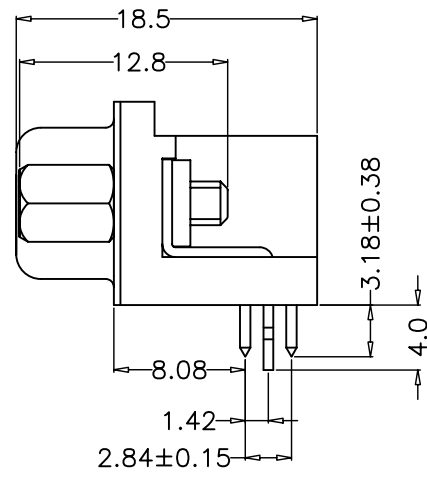
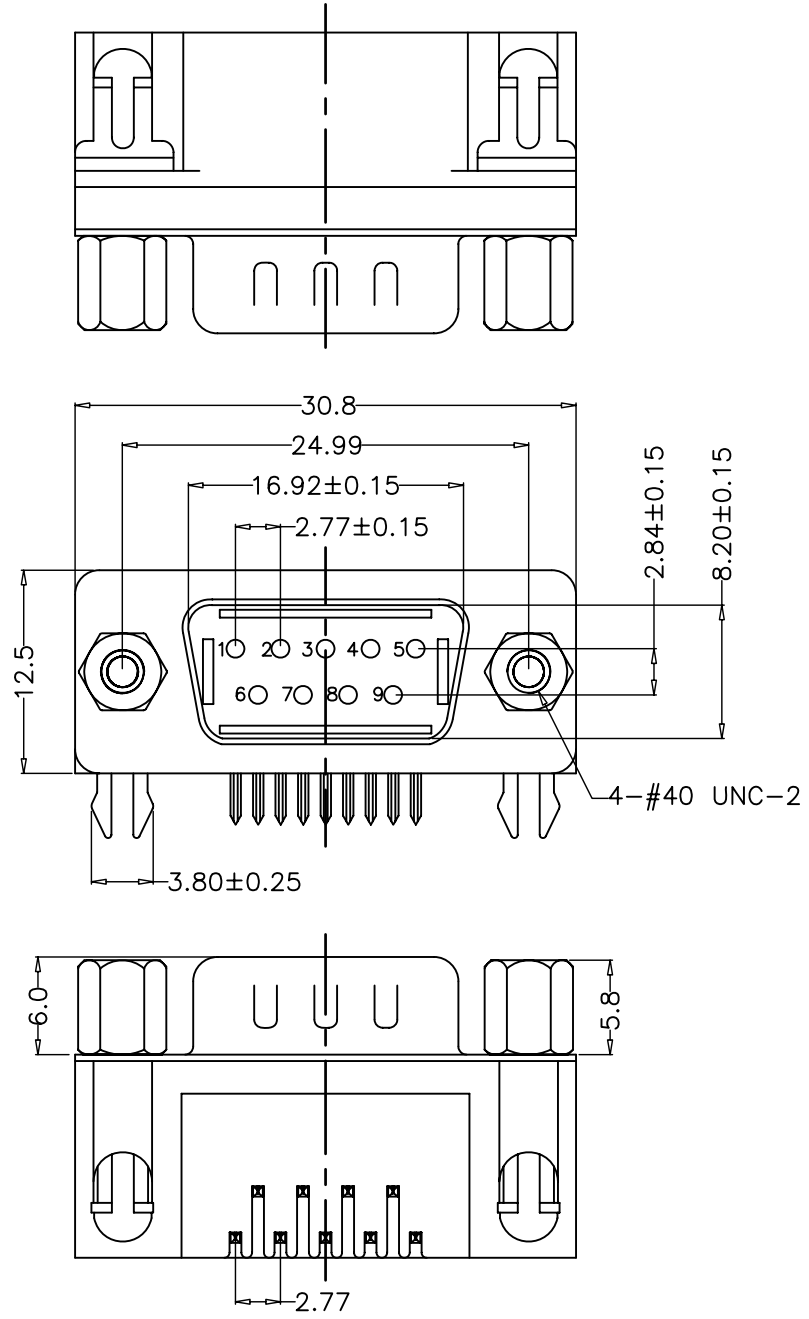
NOTES:

1.MATERIAL

- 1.1 Insulator: PBT+30%Glass Fiber (UL94V-0)  
Color: Black
- 1.2 Contact: Brass
- 1.3 Contact Plated: Gold Flash/TIN PLATED
- 1.4 Shell: Steel,Nickel Plated
- 1.5 Rivet: Copper Alloy,Nickel Plated
- 1.6 Screw: Spcc, Nickel Plated

2.SPECIFICATION

- 2.1 Current Rate:5 Amps
- 2.2 Insulator Resistance:1000MΩ Min. at 500V DC
- 2.3 Dielectric Strength:1000V Per minute
- 2.4 Operation Temperature:-40°C to +85°C



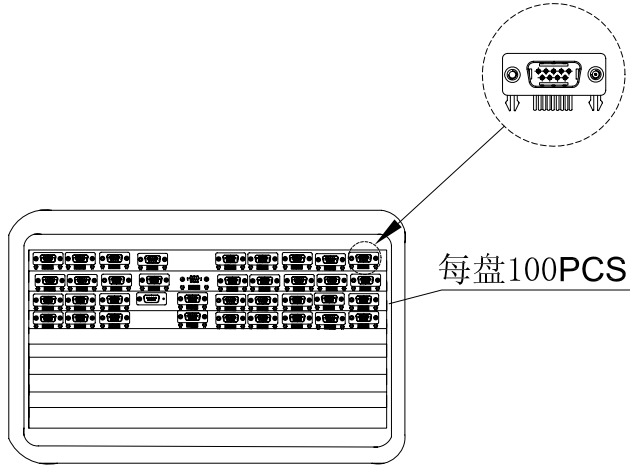
RECOMMEND PCB LAYOUT  
JACK TOP VIEW  
TOLERANCE: ±0.05mm

DIM	TOL	DIM	TOL
X	±0.5	X'	±5'
X.X	±0.35	X.X'	
X.XX	±0.25	X.XX'	
X.XXX		X.XXX'	

DRAW NO.		MATERIAL:	DRAW NAME:
DESIGN:	彭时勇 2014/04/07	FINISH:	DR9公 铆锁 半黑 8.1 锁5.8*12.8 铁螺丝
CHECK:	彭时勇 2014/04/07	FILE:	
REVIEW:	陆生 2014/04/07	P/N:10-D009-0014	MODEL:
APPROVED:	QUNYIN 2014/04/07	REV. AO SCALE: N/A	UNIT: mm SHEET: 1/1

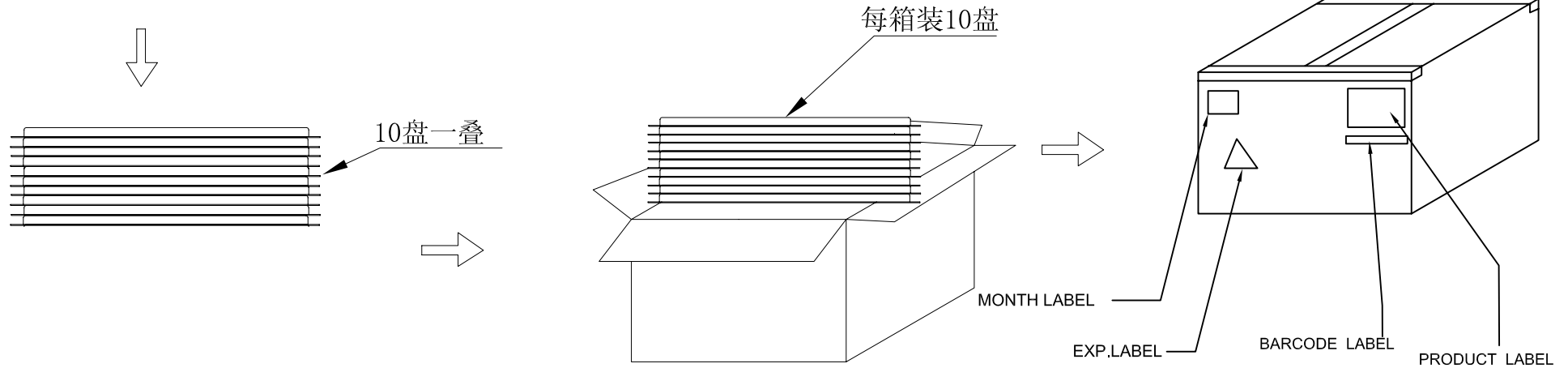


REV.	ECN NO.	LOCATIONS	DESCRIPTION	DATE	DESIGN
AO			初版发行	2014/05/23	彭时勇



包装说明:

- 1, 真空盒, 规格: 340\*218\*20mm.  
包装, 每真空盒装100PCS.
- 2, 每箱装10盒, 合计: 1000PCS.
- 3, 外包装箱, 规格: 360\*230\*220mm.



DRAW NO.			MATERIAL: SEE NOTES	DRAW NAME:	
DESIGN:	彭时勇	2014/05/23	FINISH:	D-SUB 9P 包装图	
CHECK:	彭时勇	2014/05/23	FILE:	MODEL:	
REVIEW:	彭生	2014/05/23	P/N: 10-D009-0014	UNIT:	SHEET:
APPROVED:	Qunyin	2014/05/23	REV. AO	SCALE: N/A	mm 1 OF 1